

DACIA

# DACIA SANDERO STEPWAY



1

# EXPLORE YOUR SANDERO STEPWAY

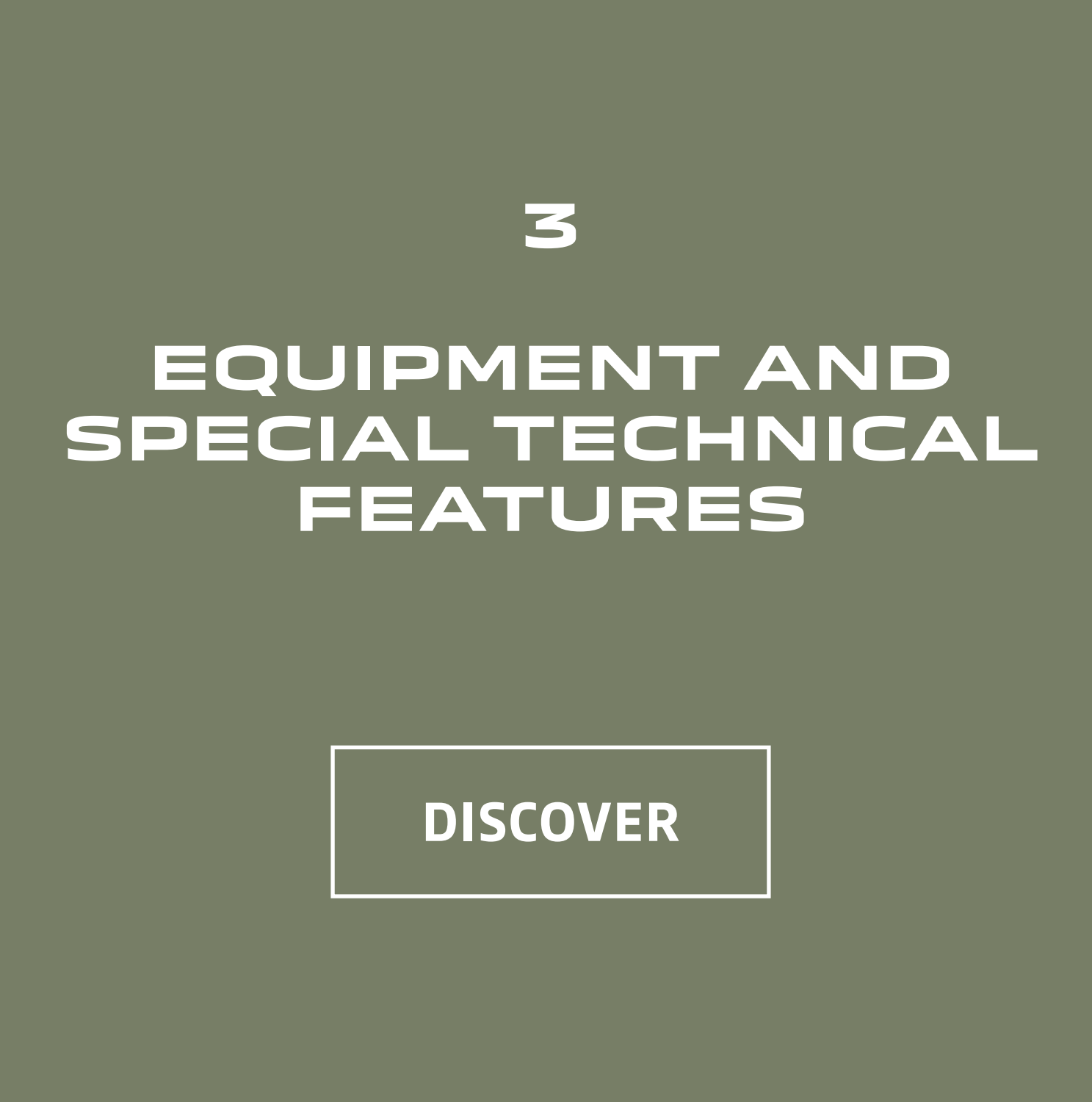
DISCOVER



2

# YOUR SANDERO STEPWAY IN EVERYDAY LIFE

DISCOVER



3

# EQUIPMENT AND SPECIAL TECHNICAL FEATURES

DISCOVER



4

# THE DACIA SPIRIT, PURE AND SIMPLE

DISCOVER

# SIMPLY ESSENTIAL



# TAKING A BREAK EVERY DAY

Dacia Sandero Stepway reaffirms its crossover style: take escapism to the next level thanks to the new EXTREME finish, which gives the vehicle an even stronger off-road look.



# A SENSE OF ADVENTURE

A single glance and you are already itching to escape with Dacia Sandero Stepway. Its sculpted bonnet, bold front end, protective features and high ground clearance give it the dynamic and robust style of an authentic crossover. Its LED headlights, Y-shaped brand light and glossy black grille give it even more character.



Live the adventure thanks to its EXTREME finish with an even more prominent outdoor spirit: Copper Brown door mirrors, alloy wheels and Glossy Black shark fin antenna. A unique style topped with distinctive elements featuring topographical patterns to better identify it. **And thanks to Extended Grip, gain traction on difficult roads (fresh snow, sand, mud).**



**Brand light**



**Extended Grip button**



## WELL-DESIGNED COMFORT

All the technologies you need: the hands-free card makes it effortless to climb in, and discover the style of the new passenger compartment. In the EXTREME finish, the interior features new, easy to clean, mixed MicroCloud plastic-coated fabric upholstery, with a soft-touch velvet appearance also present on the instrument panel and armrests. The Copper Brown touches and topographic lines recalled on the rubber floor mats complement the vehicle's unmistakable outdoor spirit.

In terms of equipment, enjoy the height- and depth-adjustable seats and steering wheel, the electric parking brake and a closed storage space in the armrest: practicality and comfort combined. Connect your smartphone and use your preferred applications on the 8-inch touch screen. The controls, all placed within easy reach, provide maximum ease of access to all functions.



Special upholstery



8-inch touch screen with Media Nav



Electric parking brake

[BUILD YOURS](#)

**WARNING!**  
link to the configurator  
to be integrated by the  
country

[BACK TO CONTENTS](#)

# VERSATILE CROSSOVER

Dacia Sandero Stepway rises to the challenge of real life: thanks to its large extendible boot, switch from city life to adventure in a flash. And still benefit from the latest features that allow you to drive with complete peace of mind.



# THE SPACE YOU NEED TO FIT ALL YOUR WISHES

Fold down the seats with a single touch, adjust the loading capacity as required and live life to the full.



Its new sunroof invites you to take full advantage of the surrounding environment. And thanks to an ingenious system, effortlessly convert your roof bars into transverse roof bars to fit a roof compartment, a bicycle rack or a ski rack. Ready to take on the world? Let's go!



**Modular roof bars**



# SAFE EVERY STEP OF THE WAY

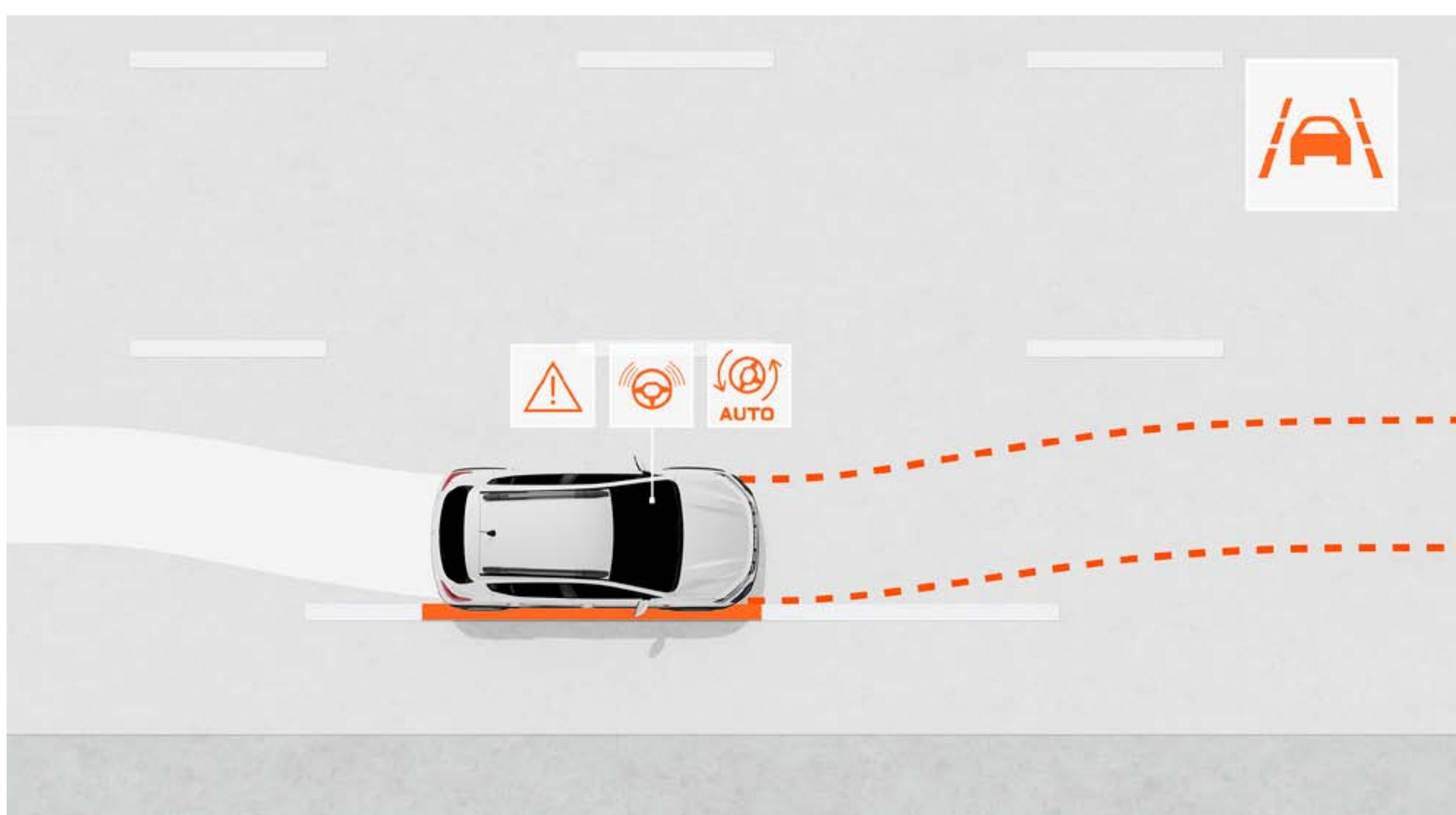
WARNING!  
NEW PAGE

For Dacia, nothing is more important than constantly improving the safety of our vehicles, and most of all, that of the passengers. What with automatic emergency braking, hill start assist, six airbags (standard) and blind spot sensor, you can relax. Dacia Sandero and Sandero Stepway provide everything you need for worry-free driving.



## **AUTOMATIC EMERGENCY BRAKING (AEBS) WITH PEDESTRIAN/CYCLIST DETECTION**

This system prevents the risk of head-on collisions involving other vehicles, pedestrians or cyclists in a straight line or at junctions. It alerts the driver and can automatically brake the vehicle if necessary.



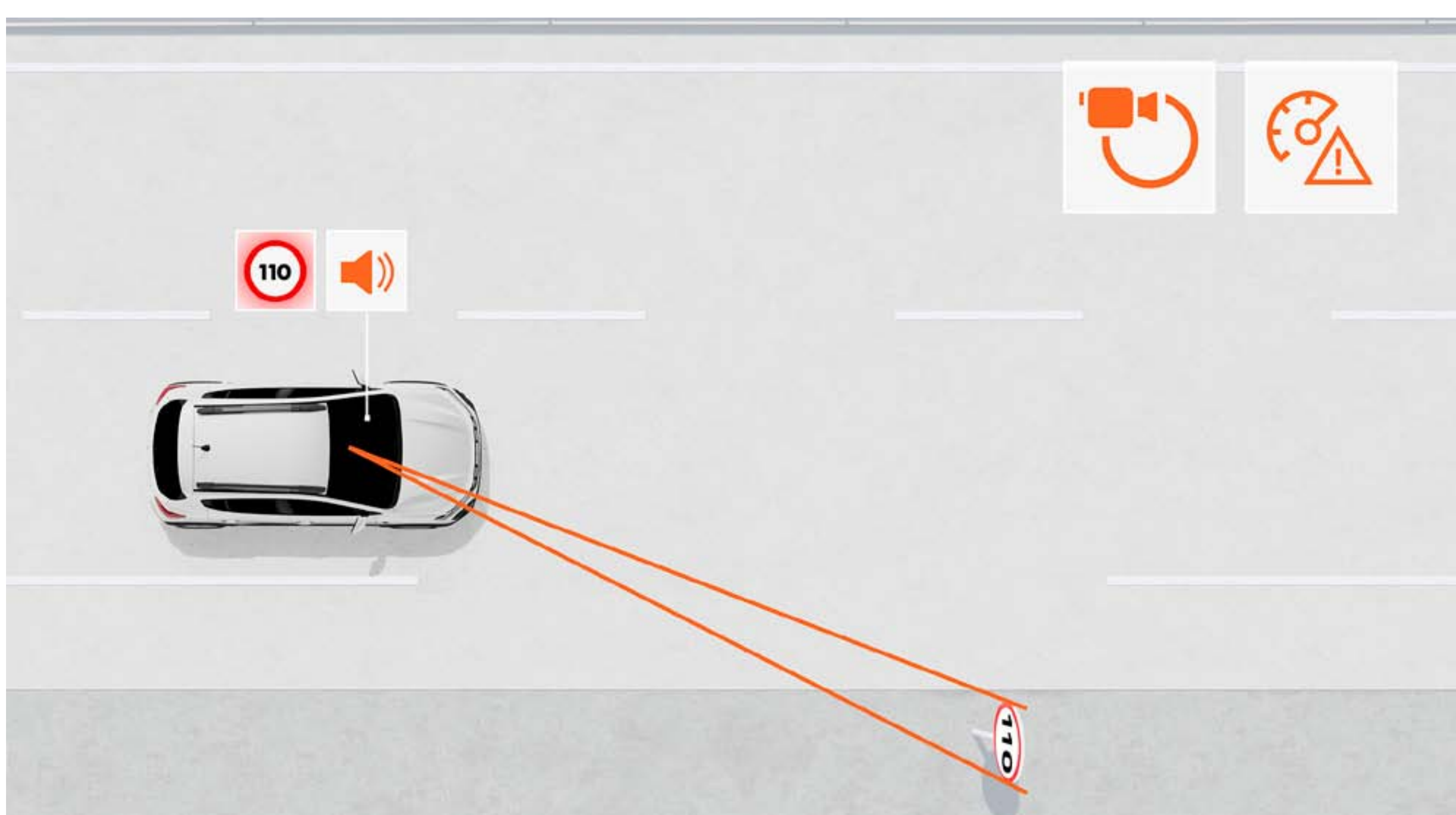
## **LANE KEEPING ASSIST**

Monitors the vehicle's path in its lane and corrects it if necessary by automatically adjusting the steering.



## **DRIVER ATTENTION ALERT**

Warns the driver if fatigue is detected by analysing several parameters, including steering wheel movements, to encourage him or her to take a break.



## **TRAFFIC SIGN RECOGNITION WITH SPEED ALERT**

Provides a highly reliable, real-time indication of the maximum speed on the road ahead and warns the driver if the speed limit is exceeded with visual and audible alerts (which can be switched off).

[BUILD YOURS](#)

WARNING!  
Link to the configurator to be integrated by the country

[BACK TO CONTENTS](#)

# FIND OUT MORE ABOUT OUR EQUIPMENT

BODY-COLOUR PALETTE



WHEEL TRIMS AND WHEELS



TRIMS



ACCESSORIES



ENGINES



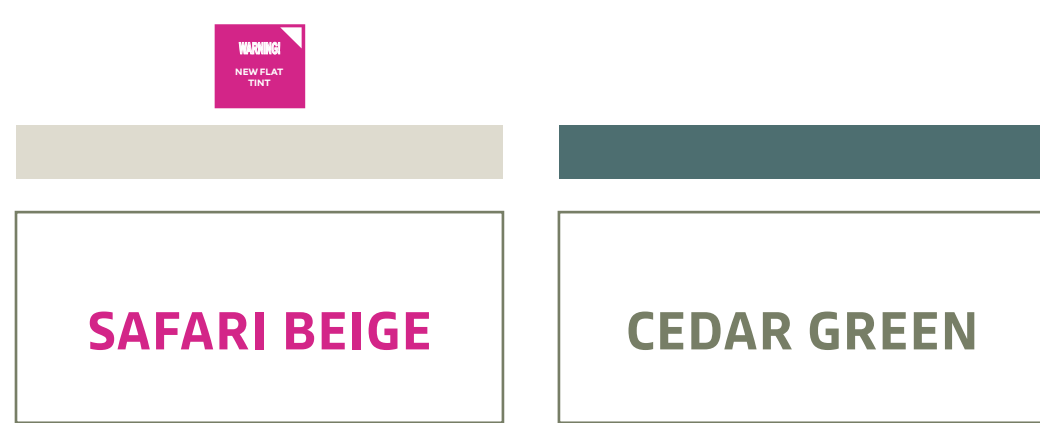
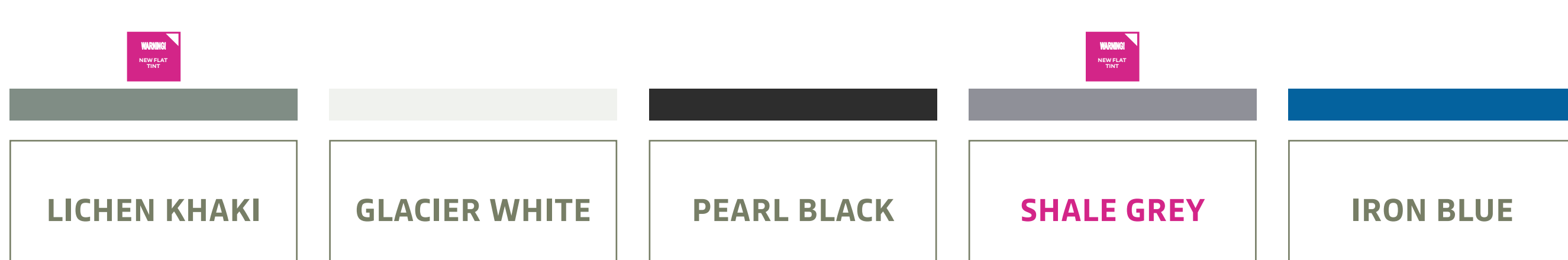
EQUIPMENT AND OPTIONS



DIMENSIONS



# BODY-COLOUR PALETTE



WARNING!  
NEW VISUALS



LICHEN KHAKI<sup>(1)\*</sup>



GLACIER WHITE<sup>(1)</sup>



PEARL BLACK<sup>(2)</sup>



SHALE GREY<sup>(2)(3)</sup>



IRON BLUE<sup>(2)\*</sup>



SAFARI BEIGE<sup>(2)\*</sup>



CEDAR GREEN<sup>(2)\*</sup>

(1) Opaque paint. (2) Metallic paint.

\* Not available on ESSENTIAL.

Non-binding photos.

DOWNLOAD DACIA AR

WARNING!  
Link to be integrated by  
the country

# WHEEL TRIMS AND WHEELS

WARNING!  
NEW VISUALS



**ATARA DARK 16" FLEXWHEEL**



**16" DARK RANDIA ALLOY WHEEL <sup>(1)</sup>**



**16" MAHALIA BLACK ALLOY WHEEL <sup>(2)</sup>**

(1) Optional.

(2) Only available in the EXTREME version.

[DOWNLOAD DACIA AR](#)

WARNING!  
link to be integrated by  
the country

# TRIMS

## ESSENTIAL



## MAIN EQUIPMENT

### EXTERNAL APPEARANCE

- Black grille with Dacia logo and white Stepway inscription
- LED brand light
- Automatic activation of daytime LED running lights
- 16" Atara Dark Flexwheels
- Body tone front/rear bumpers
- Megalith Grey front/rear skid plates
- Black exterior door handles
- Black door mirrors
- Modular longitudinal roof bars (Megalith Grey)

### INTERIOR DESIGN

- Black air vent surrounds
- Black interior door handles
- 1/3- 2/3 split-fold rear bench seatback
- Special Essential & Expression upholstery

### ACTIVE AND PASSIVE SAFETY

- My Safety button to manage driving aids
- Anti-lock Braking System (ABS) and Emergency Brake Assist (EBA)
- Automatic emergency braking (AEBS) with pedestrian/cyclist detection
- Electronic Stability Control (ESC) with Hill Start Assist (HSA)
- Emergency call (E-call)
- Event (accident) data recorder
- Prewiring for ethylometric immobiliser
- Traffic sign recognition with speed alert
- Lane change warning
- Lane keeping assist
- Driver attention alert
- Front/rear "Rescue Code®" QR Code
- Driver's front airbag/passenger's front airbag can be deactivated
- Shoulder and curtain side airbags
- Rear parking sensors
- Tyre pressure detection
- Tyre inflation kit
- Isofix child seat mounting system on rear side seats

### DRIVING AND CONTROL INSTRUMENTS

- Electrical power-assisted steering
- Stop & Start, ECO Mode
- On-board computer: distance travelled, average speed, range, average consumption (including for LPG)
- Rain and light sensors
- Cruise control and speed limiter with audible warning

### VISIBILITY

- Door mirrors with interior manual adjustment

### COMFORT

- Manual heating and air conditioning system
- Electric door locking with radio frequency remote
- Automatic locking of doors when in motion
- Front electric driver and passenger windows
- Height-adjustable steering wheel
- Front ceiling light
- 1 x 12V socket in the front
- Heated front seats

### MULTIMEDIA AND AUDIO

- New Media Control: DAB radio with steering wheel controls, 1 jack and 1 USB-C socket, 2 speakers, Bluetooth® telephone with side controls on the steering wheel, fixed smartphone holder on the dashboard, new Dacia Media Control smartphone application.
- 1 USB socket in the front

### OPTION

- Spare wheel + jack (except LPG)



**MAIN EQUIPMENT EXPRESSION = ESSENTIAL +**

**EXTERNAL APPEARANCE**

- Body tone exterior door handles
- Body-tone door mirrors
- White stickers on front doors
- Side protection stickers

**INTERIOR DESIGN**

- Fog Grey air vent surrounds
- Steel Grey interior door handles
- Fabric upholstery on the dashboard and front door armrests
- Soft feel adjustable steering wheel

**VISIBILITY**

- Front fog lights
- Electrically operated door mirrors

**COMFORT**

- One-touch driver-seat window control (with anti-trapping function), non one-touch passenger side
- Electric rear windows
- Height- and reach-adjustable steering wheel

**MULTIMEDIA AND AUDIO**

- Media Display: multimedia system with 8" touchscreen, DAB digital radio, smartphone mirroring via USB cable, Bluetooth® connection, side controls on steering wheel, 4 speakers, 1 USB-C socket and 1 USB-A socket

**OPTIONS**

- 16" Randia Dark alloy wheels
- Rear-view camera
- Front parking distance control
- Blind spot warning
- Automatic heating and air conditioning system
- Heated front seats



## MAIN EQUIPMENT EXTREME = EXPRESSION+

### EXTERNAL APPEARANCE

- Specific outdoor design with door bottom protectors and side stickers with topographical motifs
- Copper Brown finish: door mirrors, "Stepway" inscription on roof bars, decorative fog moulding
- 16" Mahalia black alloy wheels
- Shark fin aerial

### INTERIOR DESIGN

- Special EXTREME mixed washable MicroCloud plastic-coated fabric upholstery with Copper Brown topstitching and embossed Dacia logo
- Copper Brown decoration: decorative moulding on the door panels
- MicroCloud plastic-coated fabric coating on the dashboard and on the front door armrests
- Special Extreme MicroCloud plastic-coated fabric upholstery
- Front + rear rubber mats with topographic patterns
- Door sills with topographic patterns

### ACTIVE AND PASSIVE SAFETY

- Rear-view camera

### DRIVING AND CONTROL INSTRUMENTS

- Extended Grip function
- Hands-free card

### COMFORT

- Automatic heating and air conditioning system
- Modular boot with twin-level floor

### MULTIMEDIA AND AUDIO

- Removable phone holder

### OPTIONS

- Electric parking brake with high central armrest with storage, 1 12V socket and 1 USB-C socket in the rear
- Heated front seats

**EXTREME +  
AVAILABLE ONLY WITH THE UP&GO OFFER**

## UP&GO

**MORE EQUIPMENT  
AND QUICKER**

UP & GO is a Sandero Stepway in an EXTREME finish with 10 additional equipment items already included, delivered more quickly. No options to add, everything is included. Just choose the essentials:  
**the engine and the bodywork colour.**



### EQUIPMENT

Additional equipment on an already well-equipped version



### FAST DELIVERY

Get your Dacia in less time!



### AND ALWAYS AT DACIA PRICES

It's a no-brainer!

### ADDITIONAL EQUIPMENT INCLUDED

- Electric parking brake with upper central armrest including storage compartment, one 12V socket and one USB-C socket in the rear
- Front parking distance control
- Blind spot warning
- Media Nav: multimedia system with 8" touchscreen, navigation with Map Care ([map of Western Europe or Eastern Europe \[depending on country\]](#) + 6 free updates for 3 years), DAB digital radio, smartphone replication via USB cable or wireless via Wi-Fi, Bluetooth® connection, steering wheel side controls, 6 speakers (4 speakers + 2 tweeters), 1 USB-C socket and 1 USB-A socket



- Spare wheel + jack (except LPG)
- Heated front seats (Germany only)

### ENGINES

Choose from: LPG ECO-G 100, TCe 90 or TCe 110.

### COLOURS

Choose your preference from the 7 STEPWAY colours:

- Glacier White<sup>(1)</sup>
- Lichen Khaki<sup>(1)</sup>
- Pearl Black<sup>(2)</sup>
- Shale Grey<sup>(2)</sup>
- Iron Blue<sup>(2)</sup>
- Cedar Green<sup>(2)</sup>
- Safari Beige<sup>(2)</sup>

(1) Opaque paint.  
(2) Metallic paint.

**BUILD YOURS**



**BACK TO CONTENTS**



# ACCESSORIES



## DACIA RIGID ROOF BOX

Increase your vehicle's load capacity and travel without compromise! Practical, sturdy and attractive, it is also secured with a key lock.



Non-binding photo

## BICYCLE RACK ON TOWBAR

Attaches quickly to a towbar, without any adjustment; this is the most practical way of transporting up to 3 bikes. Foldable and tiltable, it always leaves the boot accessible, even when the bikes are mounted



## BICYCLE RACK ON MODULAR ROOF BARS

Attaches quickly to roof bars - this the safest and most practical way of transporting a bike. The ideal option for maintaining good rear visibility and unhindered access to the boot.



## SIDE DOOR BASE PROTECTION AND FRONT AND REAR PROTECTION MUDFLAPS

Accentuate your Stepway's rugged styling while protecting the bottom of the doors. And effectively protect the underbody from splatters.



## ROOF SPOILER

Accentuate the character of your vehicle. A little extra that makes a world of difference!



## ADJUSTABLE ARMREST WITH STORAGE

For optimum driver comfort, opt for this height-adjustable, extendible and flip-up armrest.



## EASYFLEX MODULAR BOOT PROTECTION

Cover the entire loading space when transporting bulky items. Versatile and waterproof, it folds and unfolds very easily, adapting to the position of the rear seats, even when folded down.



## REAR BENCH SEAT PROTECTIVE COVER

Travel with your pet with peace of mind! The waterproof cover will protect your rear bench seat from stains, hairs, odours and accidental damage.



## STEPWAY FRONT DOOR SILLS AND COMFORT TEXTILE FLOOR MATS

Customise the entrances to your vehicle with Stepway sills. And effectively protect your interior with these textile floor mats tailored for the passenger compartment. Quick to install and easy to maintain.



## INDUCTION SMARTPHONE CHARGER ON CENTRE CONSOLE

Just place your mobile phone on the charging base. Great for charging it in the vehicle while you're driving. Maximum convenience and simplicity!

[DOWNLOAD THE ACCESSORIES BROCHUR](#)

**WARNING!**  
Link to be integrated  
by the country

# ENGINES



	TcE 90	TcE 90 CVT	ECO-G 100	TCE 110
<b>ENGINES</b>				
Fiscal rating (CV) (France)	5	5	5	5
Fuel	Unleaded fuel (E10)	Unleaded fuel (E10)	Unleaded fuel (E10)/ LPG	Unleaded fuel (E10)
Max. power kW CEE (hp) at an engine speed of (rpm)	67 at 4,600-5,000	67 at 4,500-5,000	LPG mode: 74 at 4,600-5,000 Petrol Mode: 67 at 4,800-5,000	81 at 5,000-5,250
Max. torque Nm CEE (m.kg) at an engine speed of (rpm)	160 at 2,200-3,750	142 at 1,750-3,750	LPG mode: 170 at 2,000-3,500 Petrol Mode: 160 at 2,100-3,750	200 at 2,900-3,500
Gearbox type	Manual 6-speed	Auto-CVT	Manual 6-speed	Manual 6-speed
Type of Injection	Turbo indirect injection			
Capacity (cm <sup>3</sup> )	999			
Number of cylinders/valves	3/12			
Emission control standard	Euro 6 DFull			


## CHASSIS AND STEERING

Tyre dimensions	205/60 R16 92H			
Steering - Turning circle, kerb to kerb (m)	10.39			
Front suspension	Pseudo McPherson with lower wishbone, spiral spring suspension with telescopic hydraulic shock absorbers and anti-roll bar			
Rear suspension	Semi-rigid axle with anti-roll bar spring suspension and telescopic hydraulic shock absorbers			

## PERFORMANCE

			LPG	Petrol	
Maximum speed (km/h)	172	163	177	173	180
0-100 km/h (s)	12	14.2	11.9		10
Mid-range acceleration: 80 km/h - -120 km/h (s) in					
4 <sup>th</sup>	10.3		10.0	10.2	7.7
5 <sup>th</sup>	14.6	12.6	13.9	14.4	10.7
6 <sup>th</sup>	22.6		20.6	21.9	17.1

## FUEL CONSUMPTION AND EMISSIONS<sup>(1)</sup>

Approval protocol	WLTP <sup>(2)</sup>				
Fuel tank capacity (l)	50	50	Petrol: 50 LPG: 40		50
			LPG	Petrol	
CO <sub>2</sub> emissions (g/km) Best Case - Worst Case	120/121	131/140	108/109	122/122	125/125
Fuel consumption during combined cycle (l/100 km) Best Case - Worst Case	 5.3/5.4	5.8/6.2	6.7/6.7	5.4/5.4	5.5/5.5

## VOLUMES AND WEIGHTS

	Essential	Expression/ Extreme	Essential	Expression/ Extreme	Essential	Expression/ Extreme	Essential	Expression/ Extreme
Minimum kerb weight	1,077	1,096	1,113	1,122	1,134	1,154	1,098	1,106
Maximum kerb weight	1,119	1,136	1,143	1,159	1,160	1,176	1,130	1,145
Gross train weight (GTW)	2,661	2,678	2,685	2,701	2,702	2,718	2,672	2,687
Maximum permissible laden weight (MPLW)	1,561	1,578	1,585	1,601	1,602	1,618	1,572	1,587
Max. braked towing weight	1,100	1,100	1,100	1,100	1,100	1,100	1,100	1,100

(1) Official consumption and emissions according to applicable regulations. (2) WLTP (Worldwide Harmonised Light Vehicle Test Procedures): this new protocol provides results much closer to those found in daily use compared with the NEDC protocol. Fuel consumption and CO<sub>2</sub> emissions are certified using a standard, regulated method. This method is identical for all manufacturers and enables vehicles to be compared.

[BUILD YOURS](#)



[BACK TO CONTENTS](#)

# EQUIPMENT AND OPTIONS



ESSENTIAL EXPRESSION EXTREME EXTREME+

EXTERNAL APPEARANCE				
LED brand light	•	•	•	•
LED automatic daytime running lights	•	•	•	•
Grille with «Stepway» inscription	White	White	White	White
Dacia rear lettering	White	White	Copper Brown	Copper Brown
Front/rear bumpers	Bodywork tone	Bodywork tone	Bodywork tone	Bodywork tone
Megalith Grey front/rear skid plates	•	•	•	•
Side protection stickers/snorkel-type sticker	-	•/-	Specific Extreme design	Specific Extreme design
Exterior door handles	Black	Bodywork tone	Bodywork tone	Bodywork tone
Door mirrors	Black	Bodywork tone	Copper Brown	Copper Brown
Modular longitudinal roof bars (Megalith Grey)	•	•	•	•
16" Atara Dark Flexwheels	•	•	-	-
16" Randia Dark alloy wheels	-	o	-	-
16" Mahalia black alloy wheels	-	-	•	•
Shark fin aerial	-	-	•	•
White stickers on front doors	-	•	-	-
INTERIOR APPEARANCE				
Centre of air vents		Copper Brown and white sliders	Copper Brown and white sliders	Copper Brown and white sliders
Air vent surrounds	Black	Fog Grey	Fog Grey	Fog Grey
Interior door handles	Black	Steel Grey	Steel Grey	Steel Grey
Upholstery on the dashboard and front door armrests/trim on the front door panels	-/-	Fabric /-	MicroCloud plastic-coated fabric/Copper Brown	MicroCloud plastic-coated fabric/Copper Brown
1/3- 2/3 split-fold rear bench seatback	•	•	•	•
Soft feel steering wheel	-	•	•	•
Special Essential & Expression upholstery	•	•	-	-
Special Extreme MicroCloud plastic-coated fabric upholstery	-	-	•	•
ACTIVE AND PASSIVE SAFETY				
My Safety button to manage driver-assistance systems	•	•	•	•
Anti-lock Braking System (ABS) and Emergency Brake Assist (EBA)	•	•	•	•
Automatic emergency braking (AEBS) with pedestrian/cyclist detection	•	•	•	•
Electronic Stability Control (ESC) with Hill Start Assist (HSA)	•	•	•	•
Emergency call (E-call)	•	•	•	•
Event (accident) data recorder	•	•	•	•
Prewiring for ethylometric immobiliser	•	•	•	•
Traffic sign recognition with speed alert	•	•	•	•
Lane change warning	•	•	•	•
Lane keeping assist	•	•	•	•
Driver attention alert	•	•	•	•
Front / rear "Rescue Code®" QR Code	•	•	•	•
Driver's front airbag/passenger's front airbag can be deactivated	•/•	•/•	•/•	•/•
Shoulder and curtain side airbags	•	•	•	•
Rear parking sensors	•	•	•	•
Rear view camera	-	o	•	•
Front parking distance control	-	o	o	•
Blind spot warning	-	o	o	•
Electric parking brake with high central armrest with storage compartment, 1 12V socket and 1 USB-C socket in the rear	-	-	o	•
Tyre pressure detection	•	•	•	•
Spare wheel + jack (except LPG)	o	o	o	o
Tyre inflation kit	•	•	•	•
Isofix child seat mounting system on rear side seats	•	•	•	•

- : not available; • : available as standard; o : available as an option. o : Pack options

# EQUIPMENT AND OPTIONS (CONTINUED)



ESSENTIAL EXPRESSION EXTREME EXTREME+

## DRIVING AND CONTROL INSTRUMENTS

Electrical power-assisted steering	•	•	•	•
Stop & Start	•	•	•	•
On-board computer: distance travelled, average speed, range, average consumption (including for LPG)	•	•	•	•
Rain and light sensors	•	•	•	•
Hands-free card	-	-	•	•
Cruise control/Speed limiter with audible warning	•	•	•	•
Extended Grip	-	-	•	•

## VISIBILITY

Front fog lights	-	•	•	•
Door mirrors manually adjustable from inside	•	-	-	-
Electrically adjustable door mirrors	-	•	•	•

## COMFORT

Manual heating and air conditioning system	•	•	-	-
Automatic heating and air conditioning system	-	o	•	•
Electric door locking with radio frequency remote control	•	•	•	•
Automatic locking of doors when in motion	•	•	•	•
Front electric driver and passenger windows	•	•	•	•
One-touch driver-seat window control (with anti-trapping function), non one-touch passenger side	-	•	•	•
Electric rear windows	-	•	•	•
Height- and reach-adjustable steering wheel	•/-	•/•	•/•	•/•
Front ceiling light	•	•	•	•
1 x 12V socket in the front	•	•	•	•
Heated front seats	•	o	o	o
Modular boot with twin-level floor	-	-	•	•

## MULTIMEDIA & AUDIO

New Media Control: DAB radio with steering wheel controls, jack socket and 1 USB-C socket, 2 speakers, Bluetooth® telephone system with side controls on the steering wheel, fixed smartphone holder on the dashboard, new Dacia Media Control smartphone app	•	-	-	-
Media Display: multimedia system with 8" touchscreen, DAB digital radio, smartphone mirroring via USB cable, Bluetooth® connection, side controls on steering wheel, 4 speakers, 1 USB-C socket and 1 USB-A socket	o	•	•	•
Media Nav: multimedia system with 8" touchscreen, navigation with Map Care (map of Western Europe or Eastern Europe [depending on country] + 6 free updates for 3 years), DAB digital radio, smartphone replication via USB cable or wireless via Wi-Fi, Bluetooth® connection, side controls on steering wheel, 6 speakers (4 speakers + 2 tweeters), 1 USB-C socket and 1 USB-A socket	-	o	o	•
Removable phone holder	-	-	•	•

- : not available; • : available as standard; o : available as an option. o : available as a pack.

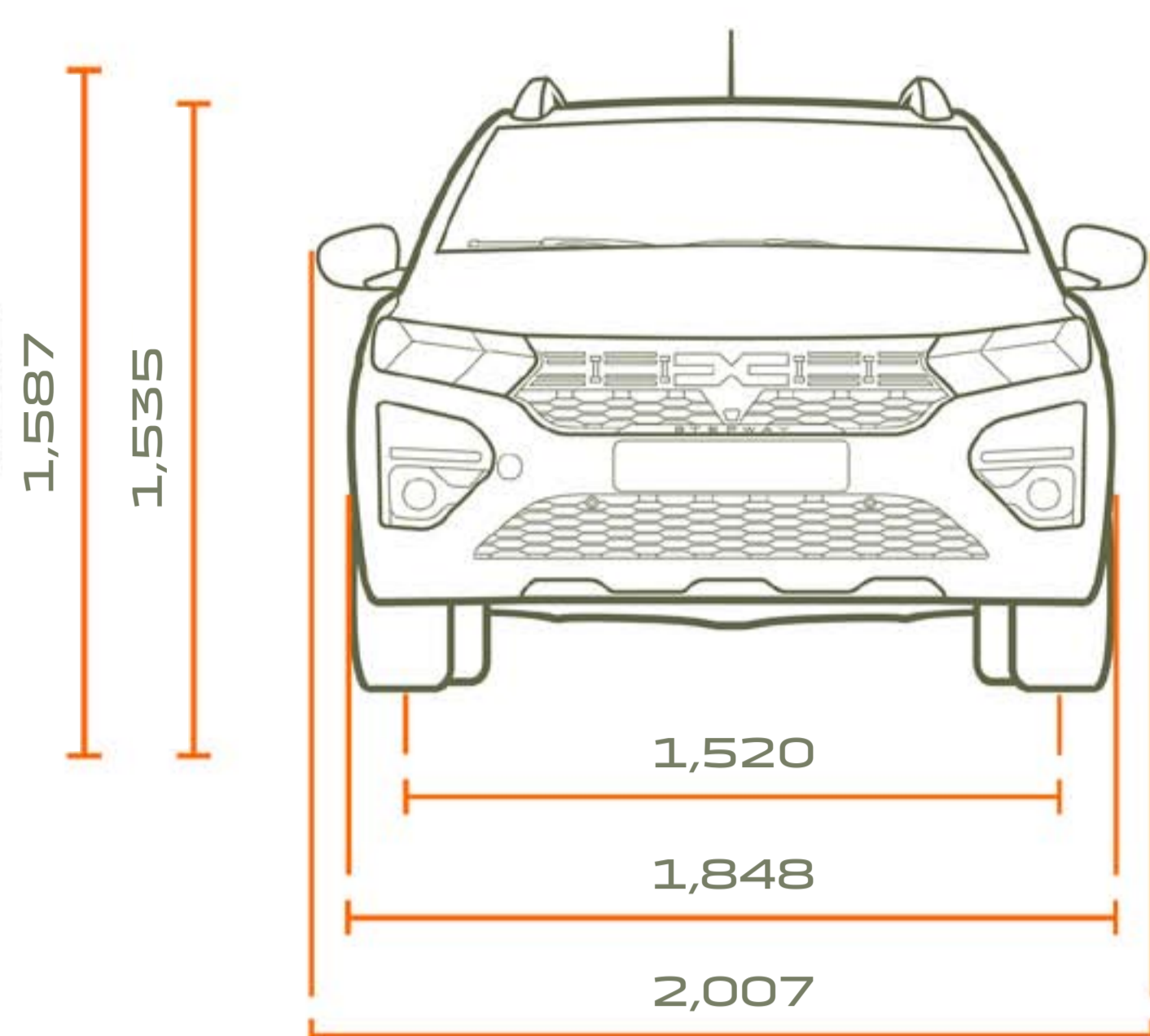
[BUILD YOURS](#)

WARNING!

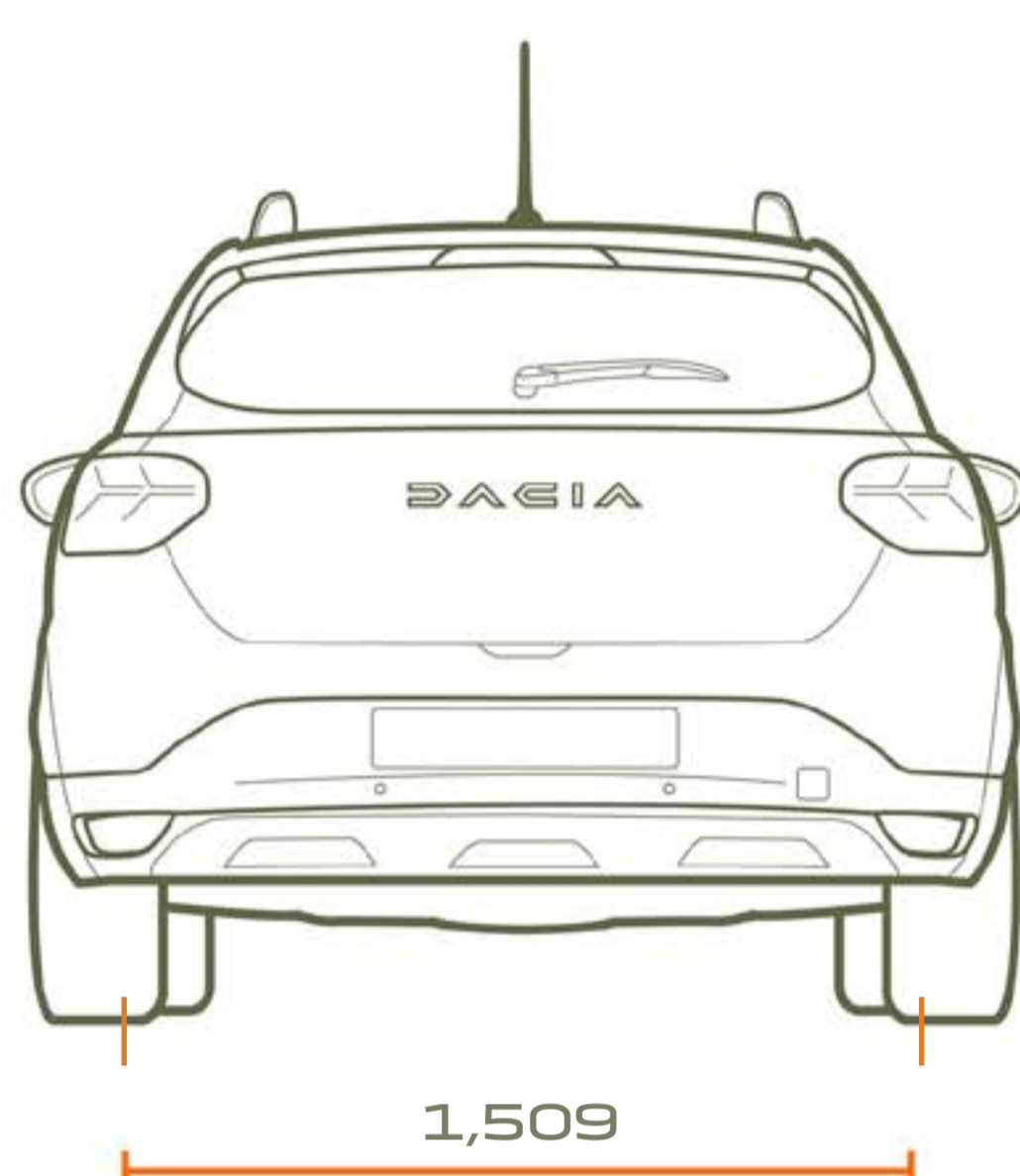
link to the configurator to be integrated by the country

[BACK TO CONTENTS](#)

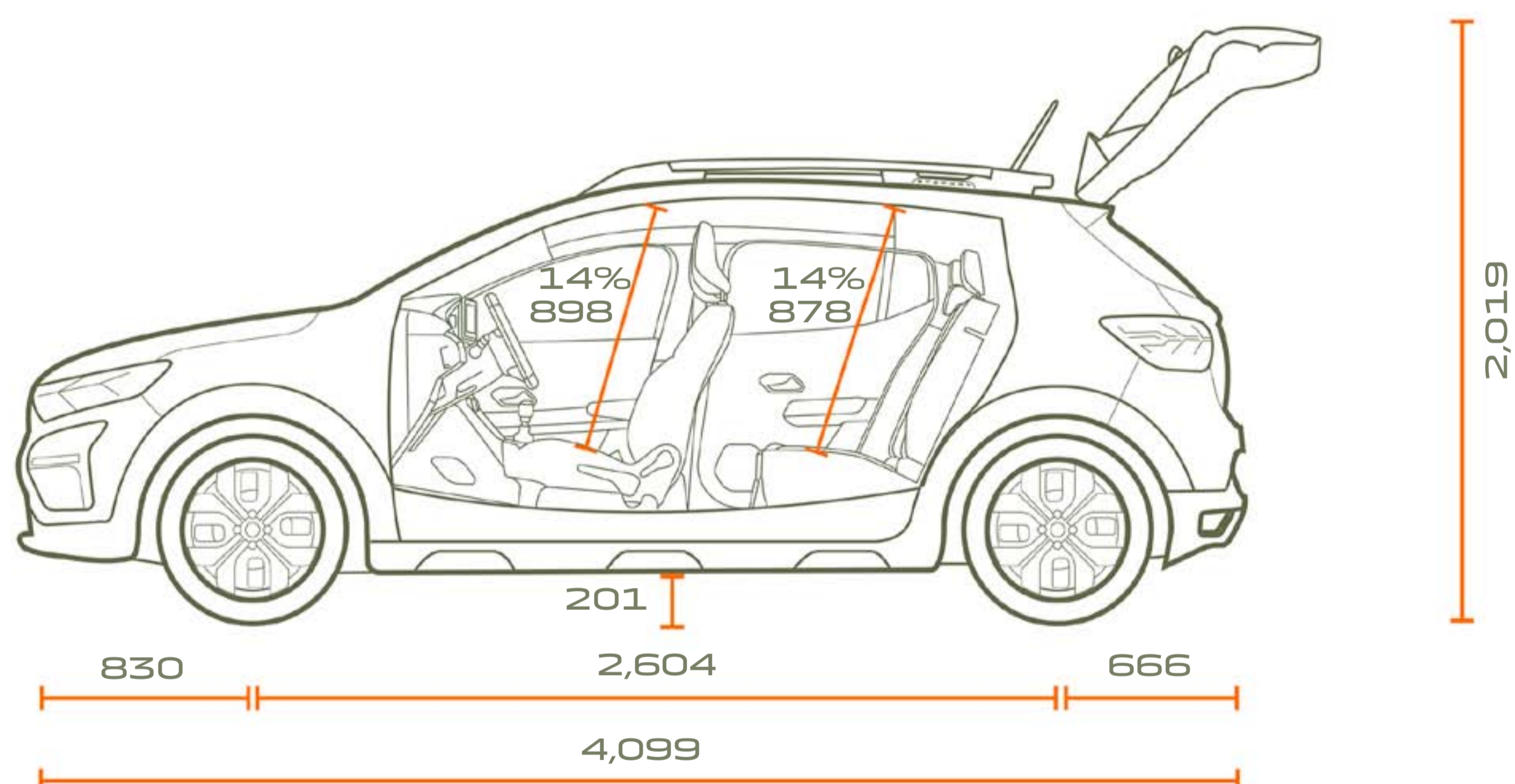
# DIMENSIONS



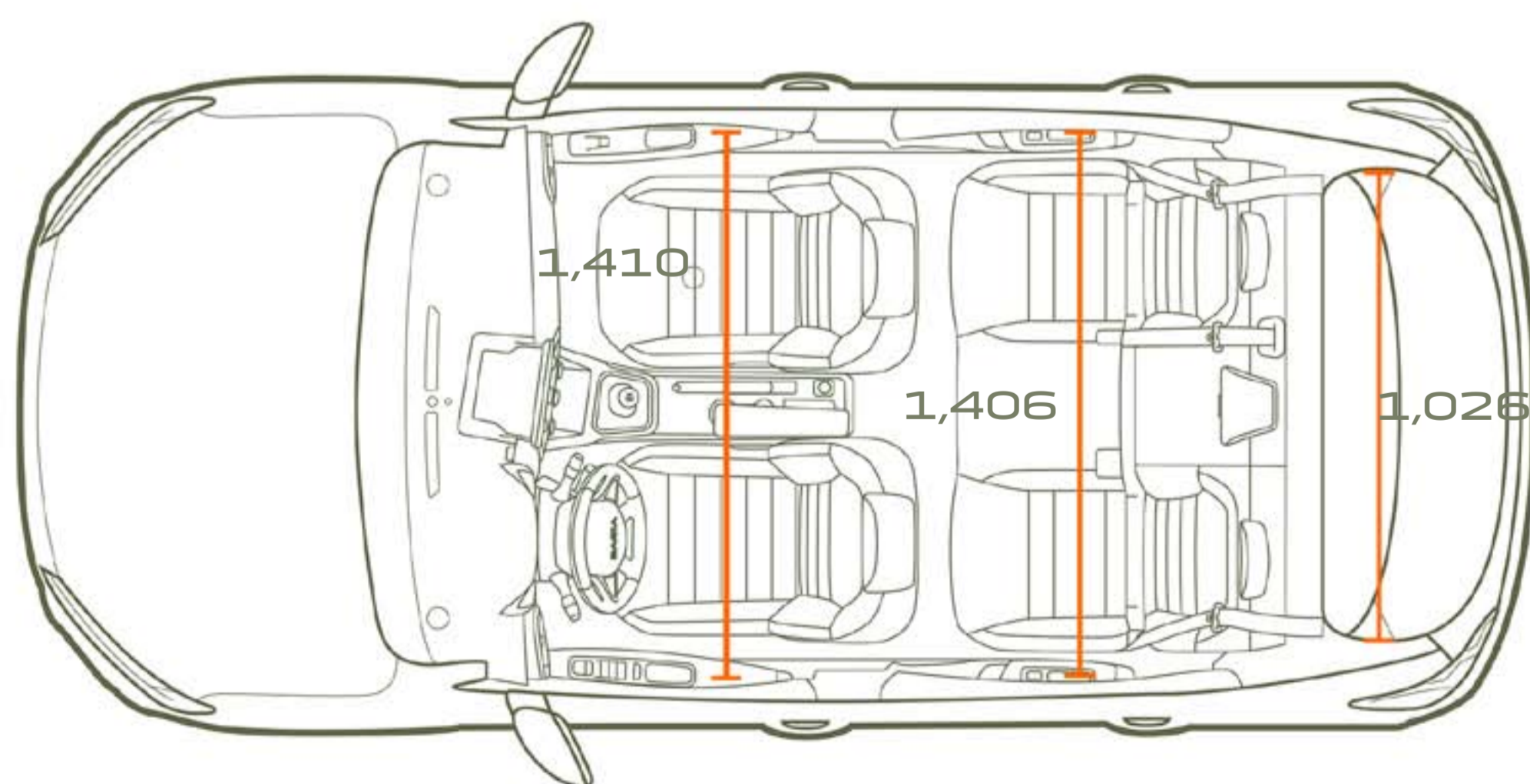
**FRONT VIEW**



**REAR VIEW**



**SIDE-FACE VIEW**



**TOP VIEW**

**BOOT VOLUME**  
(IN DM<sup>3</sup> - VDA STANDARD / LITRES)

Minimum boot volume(ISO 3832 standard)	328/410
Maximum boot volume (ISO 3832 standard)	1,108/1,455
Volume under false floor (ISO 3832)	78

# AN UNBELIEVABLE SUCCESS STORY

At Dacia, we offer practical, reliable vehicles that offer the best value for money. Models with assertive style but no frills, fitted with the most reliable, tried-and-tested technologies... all at an unbeatable price. In fifteen years, we have changed the rules of the game and disrupted the car market.





# TO GO FURTHER

BUILD YOURS

BOOK A TEST DRIVE

FIND YOUR ESTABLISHMENT



Go to the DACIA social media accounts:



Every precaution has been taken to ensure that the contents of this brochure were accurate and up-to-date at the time of publication. This document was created using pre-production models and prototypes. In line with its policy of continuous product improvement, Dacia reserves the right to modify the specifications, vehicles and accessories described and featured at any time. Any such modifications are communicated to Dacia dealers as quickly as possible. Depending on the country of sale, versions may differ and some equipment may be unavailable (standard, optional or accessories). Please consult your Dacia brand representative for the latest information. For reasons to do with the medium, the colours featured in this document may differ slightly from those of the actual paintwork or interior trim. All rights reserved. Reproduction in any format and by any means of all or part of this publication is prohibited without prior written authorisation from Dacia.

Dacia recommends 

PUBLICIS – PHOTO CREDITS: BAM; A. BERNIER; GETTY IMAGES; MCMURPHY; Shutterstock; © RENAULT MARKETING 3D-COMMERCE – MARCH 2024